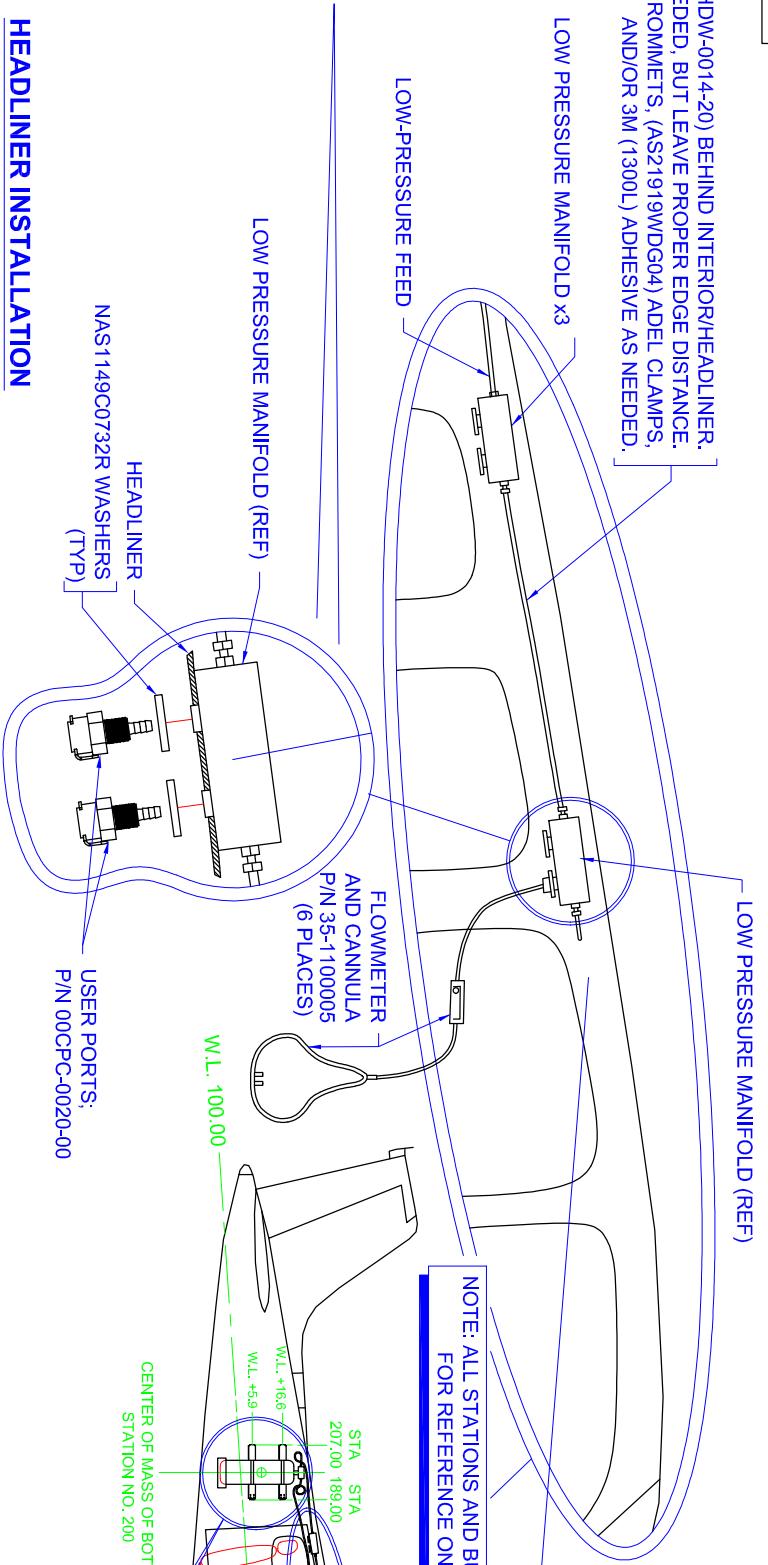


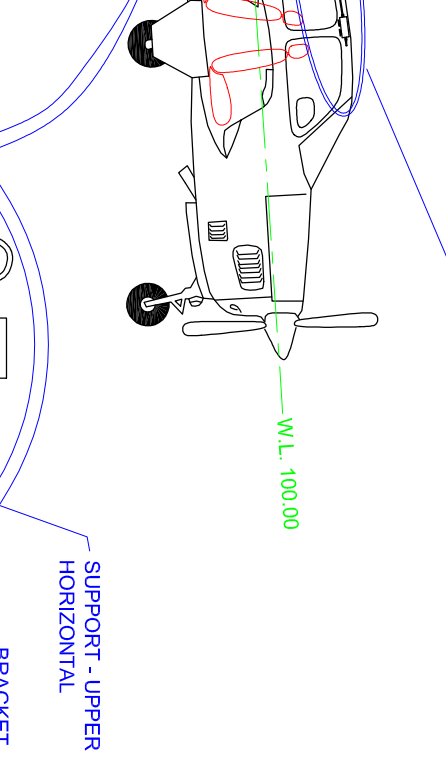
RUN TUBING (00HDW-0014-20) BEHIND INTERIOR/HEADLINER. DRILL HOLES AS NEEDED, BUT LEAVE PROPER EDGE DISTANCE. SECURE WITH (MS35489-6) GROMMETS, (AS21919WDG04) ADEL CLAMPS, AND/OR 3M (1300L) ADHESIVE AS NEEDED.

NOTE:
MANIFOLD ASSEMBLIES ARE INSTALLED DIRECTLY TO THE HEADLINER. THE MANIFOLD IS PLACED ON THE TOP OF THE HEADLINER AND SECURED BY THE FLAT WASHERS AND SCREWED IN USER PORTS FROM THE BOTTOM SIDE.



NOTE: ALL STATIONS AND BUTT LINES FOR REFERENCE ONLY

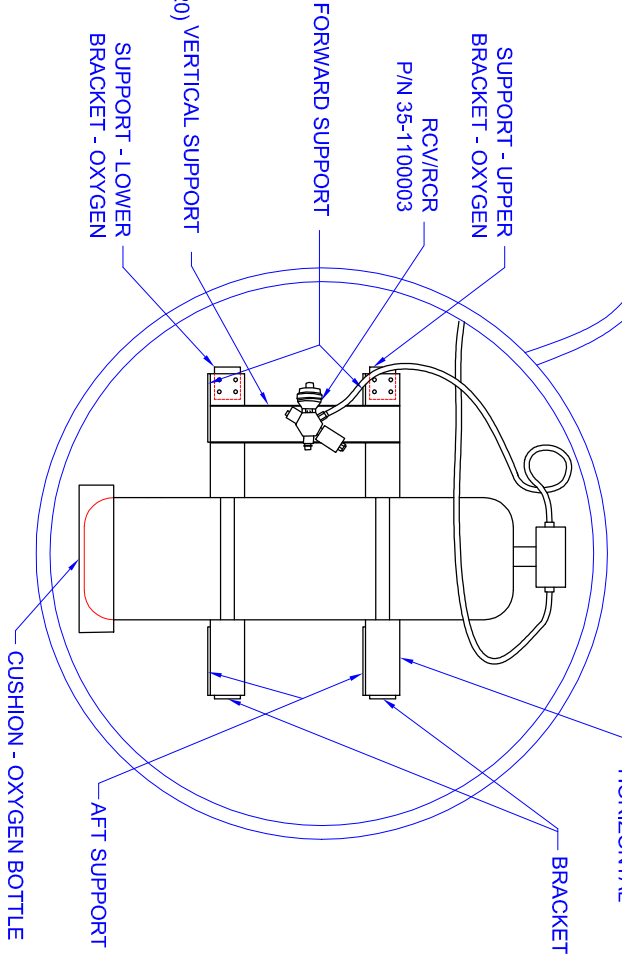
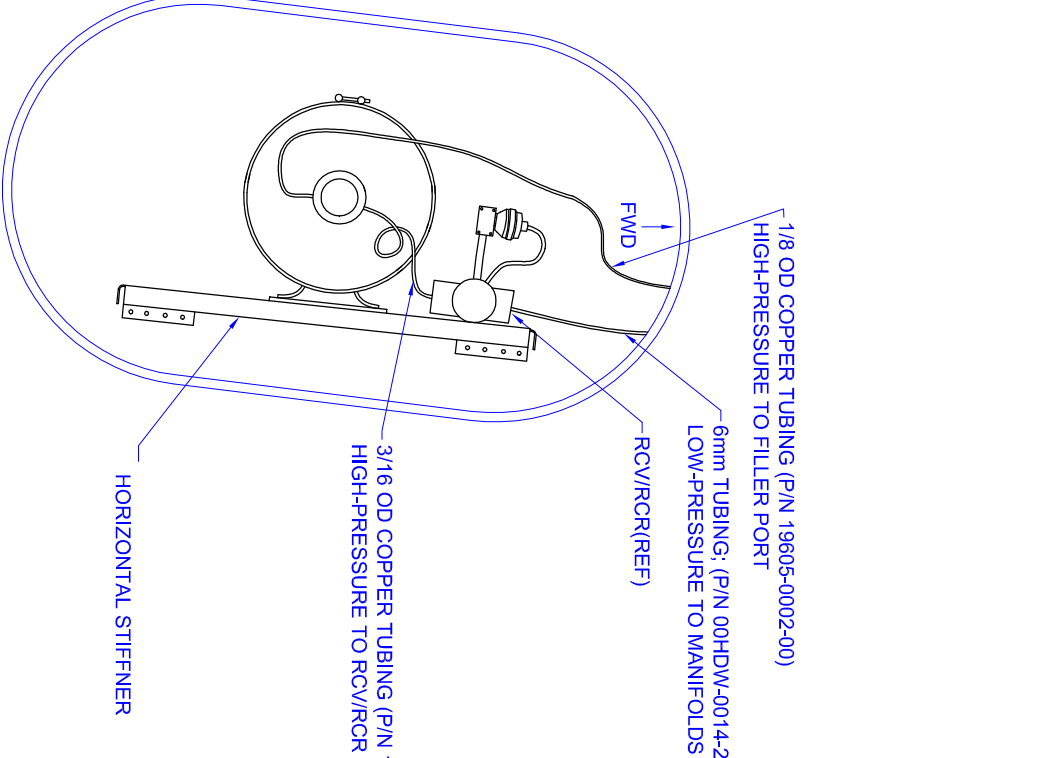
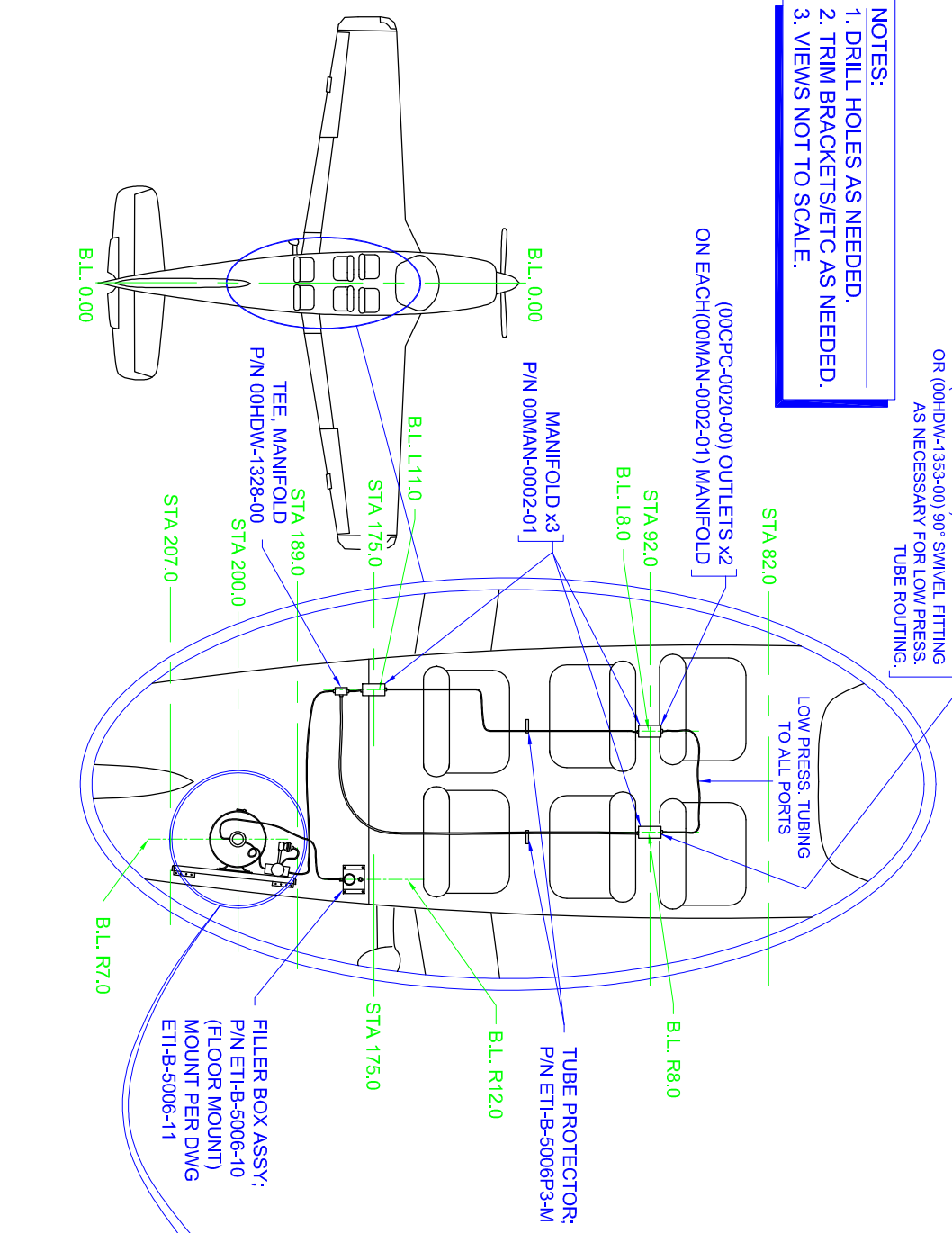
NOTE: USE PILOT DOOR SEAL AS A REFERENCE FOR LOCATION(S) OF FWD O₂ MANIFOLDS. WHEN FRONT SEATS ARE MOVED ALL THE WAY TO THE REAR SLIDING POSITION, THE O₂ PORTS MUST CLEAR THE PILOT/CO-PILOT'S HEAD. KEEP THIS IN MIND WHEN PLACING THEM IN THE HEADLINER.



HEADLINER INSTALLATION

USE (00HDW-1350-00) STRAIGHT FITTING OR (00HDW-1353-00) 90° SWIVEL FITTING AS NECESSARY FOR LOW PRESS. TUBE ROUTING.

- NOTES:**
1. DRILL HOLES AS NEEDED.
 2. TRIM BRACKETS/ETC AS NEEDED.
 3. VIEWS NOT TO SCALE.



QTY.	PART NUMBER	MATERIAL	SPECIFICATION	DESCRIPTION
UNLESS OTHERWISE SPECIFIED DIMENSIONS ARE IN INCHES TOLERANCES ARE:				
DECIMALS	FRACCTIONS: ± 1/16	ANGLES	FORMED	
±0.005		±0.030	±1°	
400 AIRPORT ROAD ADA, OKLAHOMA 74820				
TITLE: INSTALLATION - R/H OXYGEN SYSTEM				
DRAWN:	C. CHRISTIAN	6/15/09		
CHECK:	K. CHAMBLESS	6/18/09		
O.A.:	H. CONNELLY	6/18/09		
APPROVED:	J. NELL	6/17/09		
DRAWING NO.:			35-1050003	REV. NC
SCALE: NTS			CAD DRAWING:	SHEET 1 OF 2